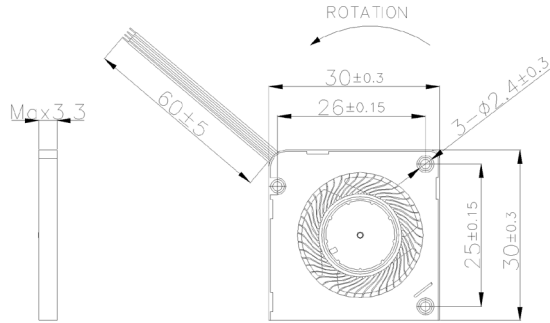
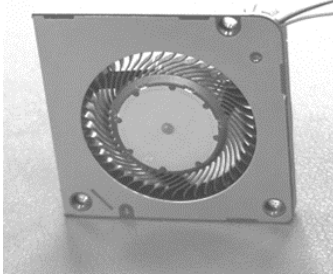
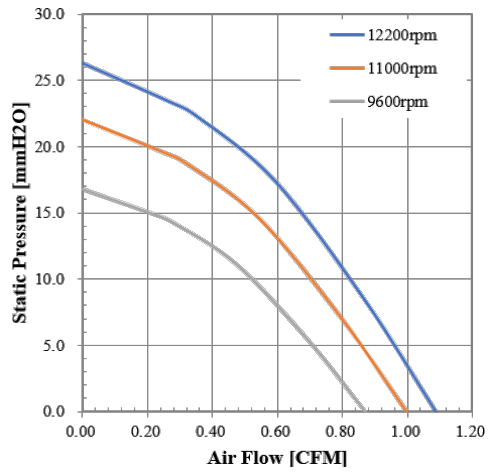


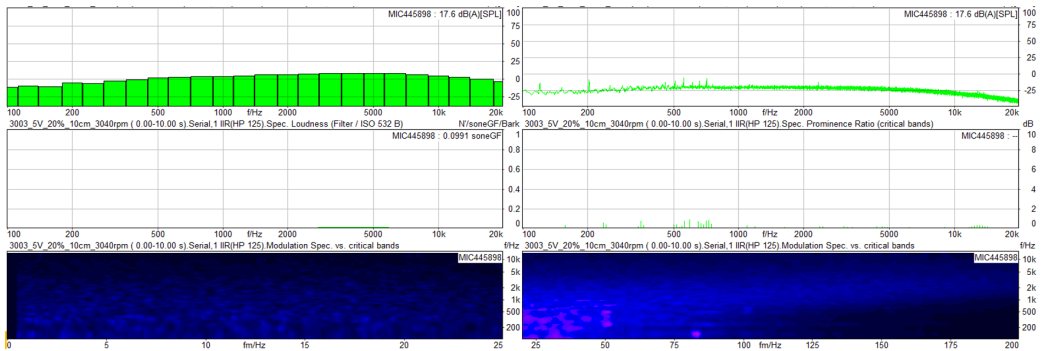
## iMiNi Fan 30\*30\*3 MM Series



Housing : Plastic (UL 94V-0)  
Blade : Plastic (UL 94V-0)  
Bearing : Sleeve bearing  
Operating temp : -10 ~ 60 °C  
Mass : 3.45g



## 20% Duty Speed Sound Quality Spectrum



Product Type	Model No.	Control Type	Bearing Type	Rated Voltage	Operating Voltage Range	Operating Temp.	Speed	Input Current	Input Power	Maximum Air Flow		Maximum Air Pressure		Noise	
				VDC	VDC	°C				R.P.M.	Amp	Watt	CFM		l/min
iMiNi 3003 鼓風扇	M1B3030H	HQ4010	+/-FG/PWM	Hydraulic	5	3.5~5.5	-40~60	12200	0.37	1.86	1.09	30.87	257.5	26.28	40.7
	M1B3030H	HQ4020	+/-FG/PWM	Hydraulic	5	3.5~5.5	-40~60	11000	0.26	1.30	1.00	28.29	216.4	22.08	38.5
	M1B3030H	HQ4030	+/-FG/PWM	Hydraulic	5	3.5~5.5	-40~60	9600	0.18	0.91	0.87	24.69	164.8	16.82	34.0
iMiNi 3003 IP68 鼓風扇	M1B3030H	HQ4110	+/-FG/PWM	Hydraulic	5	3.5~5.5	-40~60	12200	0.37	1.86	1.09	30.87	257.5	26.28	40.7
	M1B3030H	HQ4120	+/-FG/PWM	Hydraulic	5	3.5~5.5	-40~60	11000	0.26	1.30	1.00	28.29	216.4	22.08	38.5
	M1B3030H	HQ4130	+/-FG/PWM	Hydraulic	5	3.5~5.5	-40~60	9600	0.18	0.91	0.87	24.69	164.8	16.82	34.0